

# Ground Line OGL1 1060



powered by **Elements**



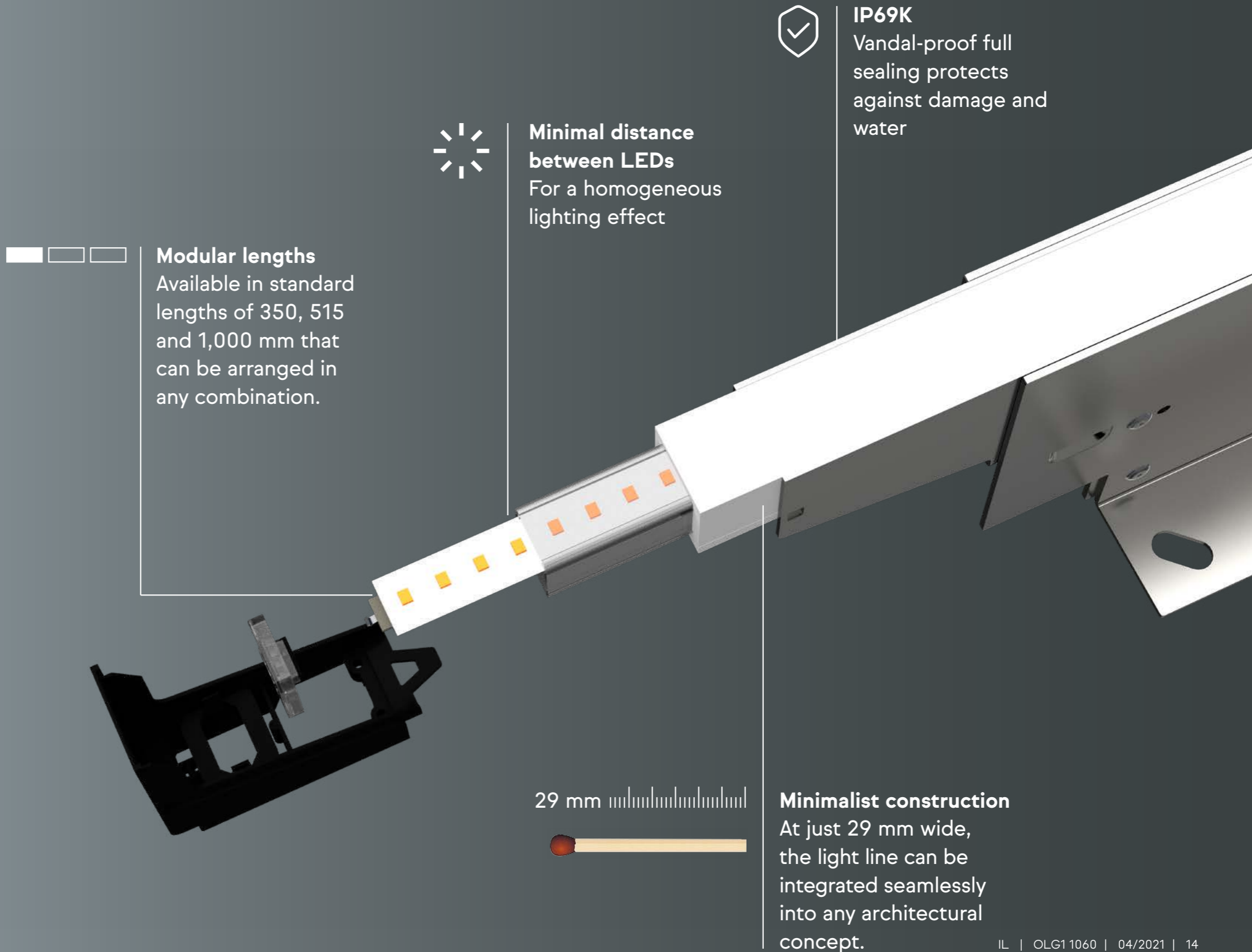


The OGL1 1060 light line is a minimalistic lighting solution for the design of outdoor areas and public spaces.

Minimally visible housing parts make the luminaire inconspicuous in daylight. At night, the modules can be individually controlled, making it possible to create different lighting scenarios and effects. The vandal-proof housing is impact-resistant and guarantees easy maintenance without tools.

# Elements LEDs

## Homogeneous light for dynamic lighting scenarios



**Modular lengths**  
Available in standard lengths of 350, 515 and 1,000 mm that can be arranged in any combination.



**Minimal distance between LEDs**  
For a homogeneous lighting effect



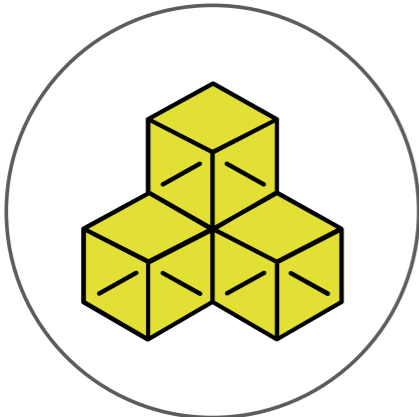
**IP69K**  
Vandal-proof full sealing protects against damage and water

29 mm



**Minimalist construction**  
At just 29 mm wide, the light line can be integrated seamlessly into any architectural concept.

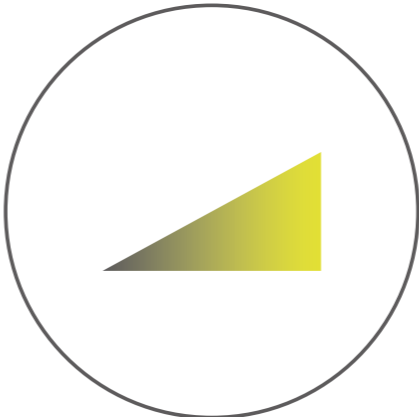
Elements is the modular technology platform from InstaLighting for maximum demands on lighting quality and flexible planning. A modular system of optics, lamps and control management solutions allows you to configure bespoke high-quality lighting scenarios for every conceivable application.



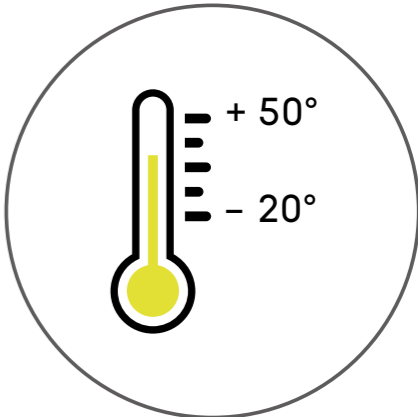
**Modular building block system**  
Freely combinable system of light distributions, light colors and control management modules



**Maximum and uniform light quality**  
Consistent light quality across the entire portfolio for all optics, power classes and light colors.

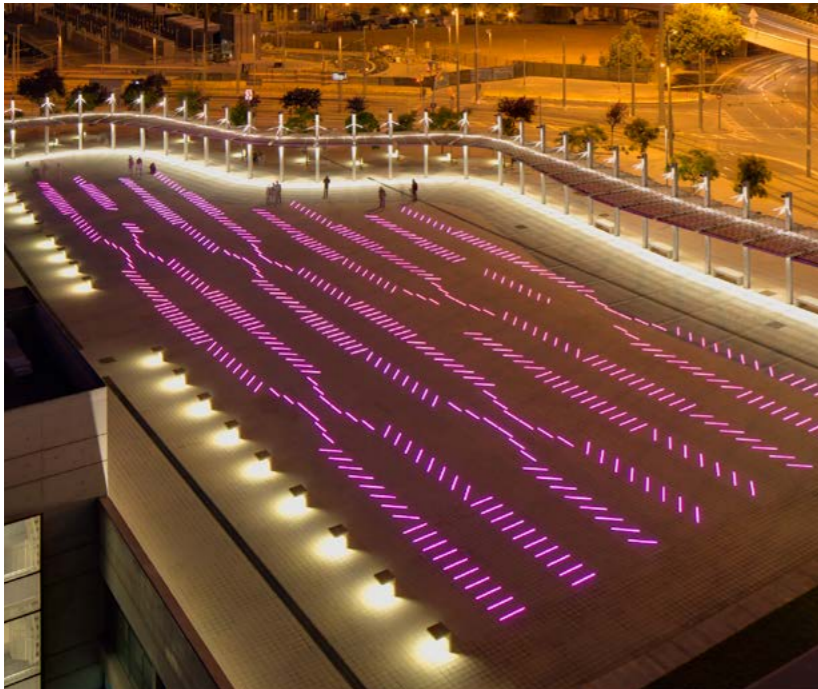


**Flicker-free dimming**  
across the entire spectrum from 1 to 100%



**Stable temperature management**  
for ambient temperatures from -20° to +50°C

# Elements optics for diffuse lighting effects | Powered by Elements



Placa Disseny, Barcelona



City center König-Heinrich-Platz, Duisburg



Immermannhof-Platz, Düsseldorf

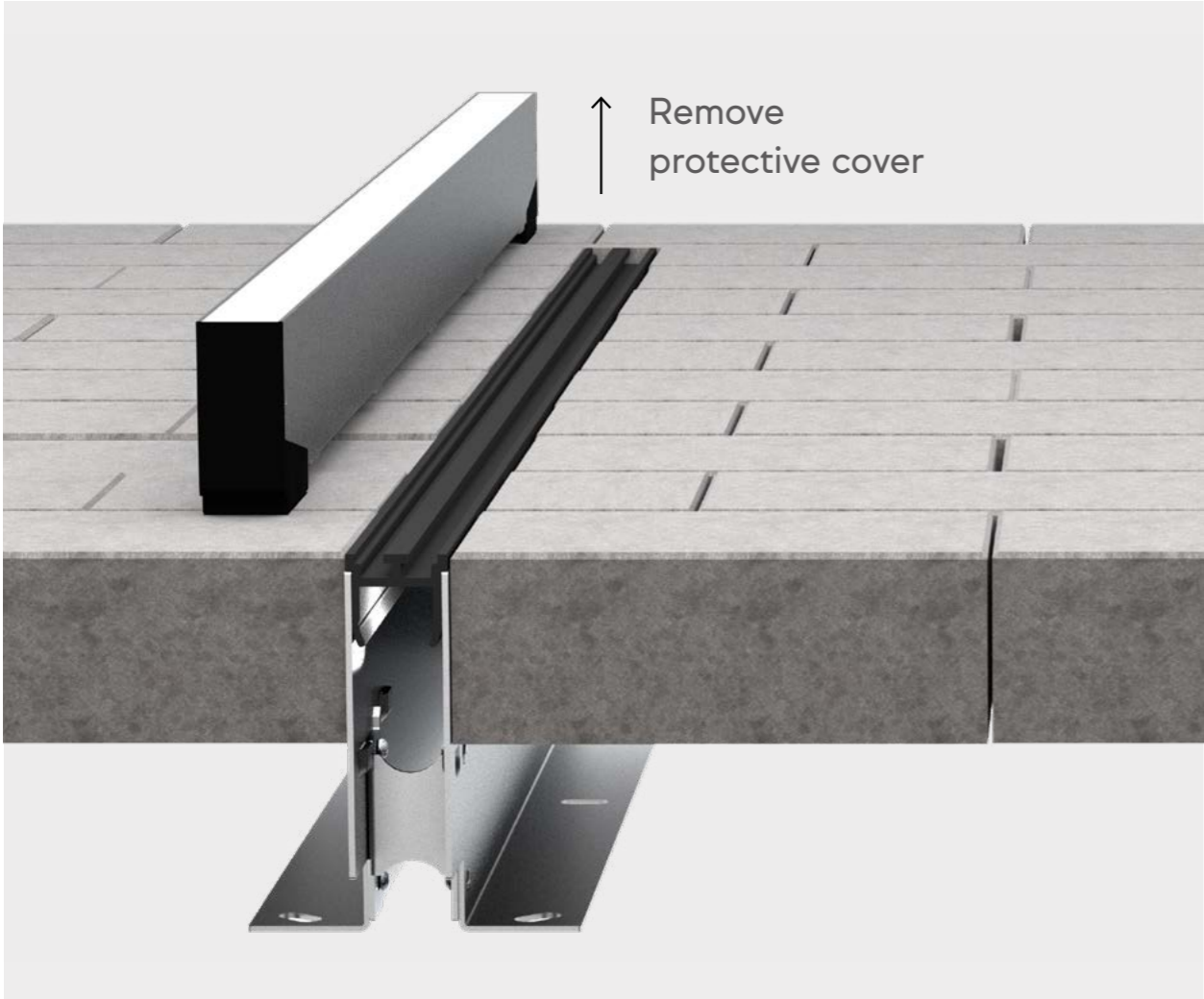


DFB Museum, Dortmund



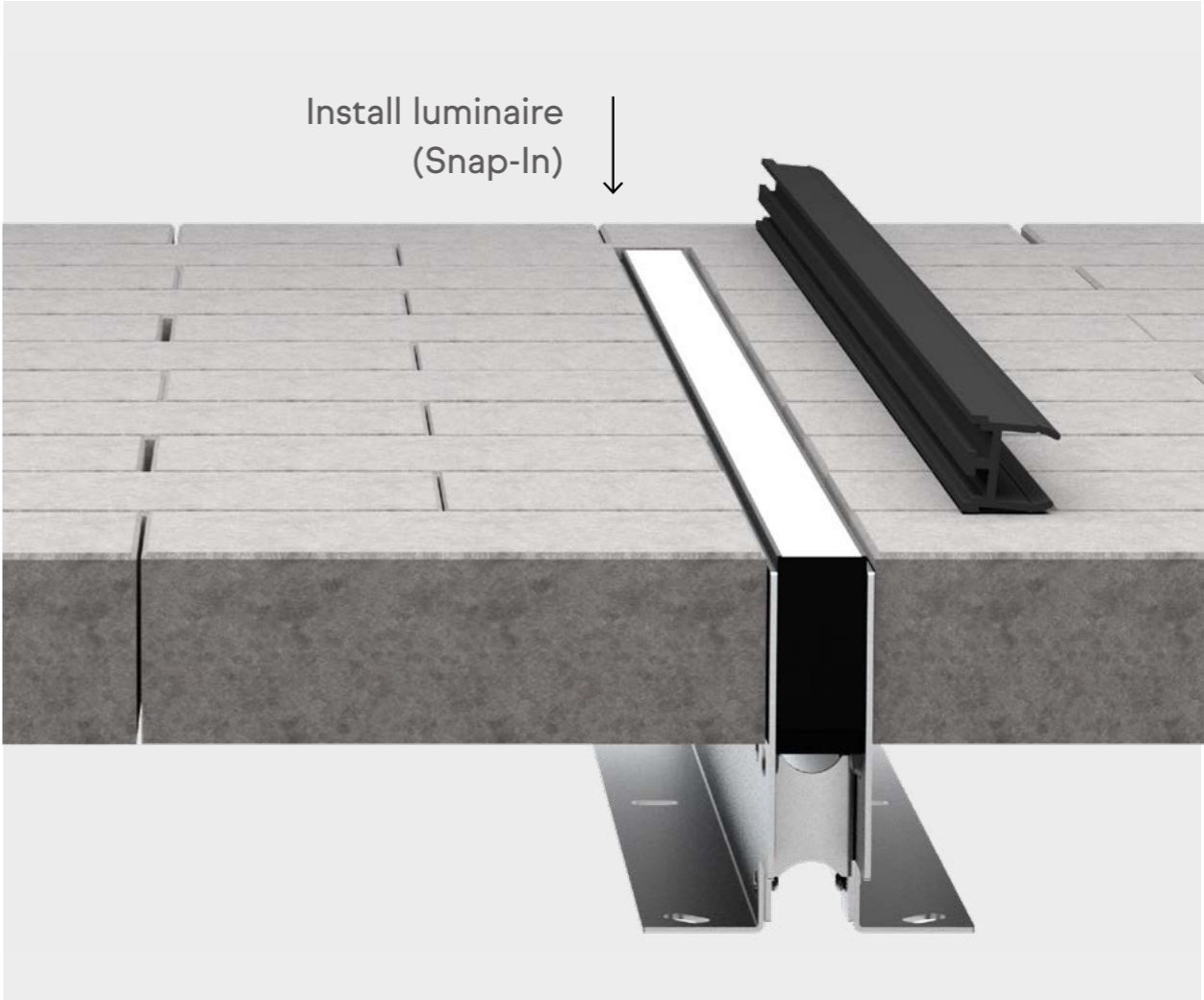
Stanislavski, Moscow

# Easy-to-install modular system



## 1 Protective plastic cover for the installation phase

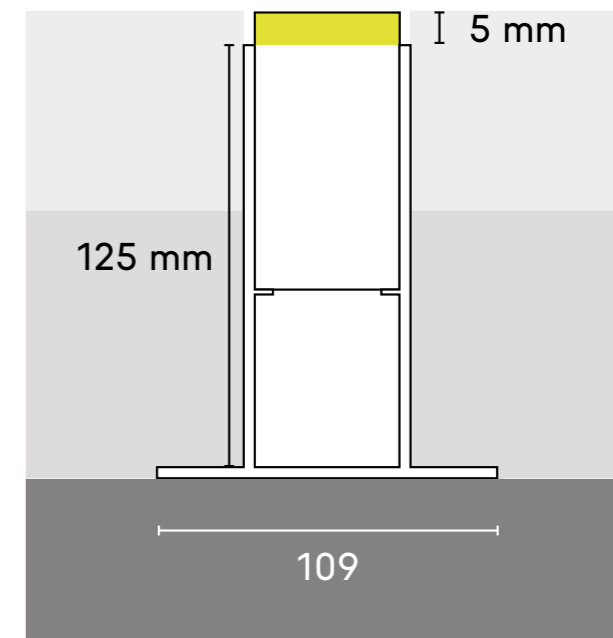
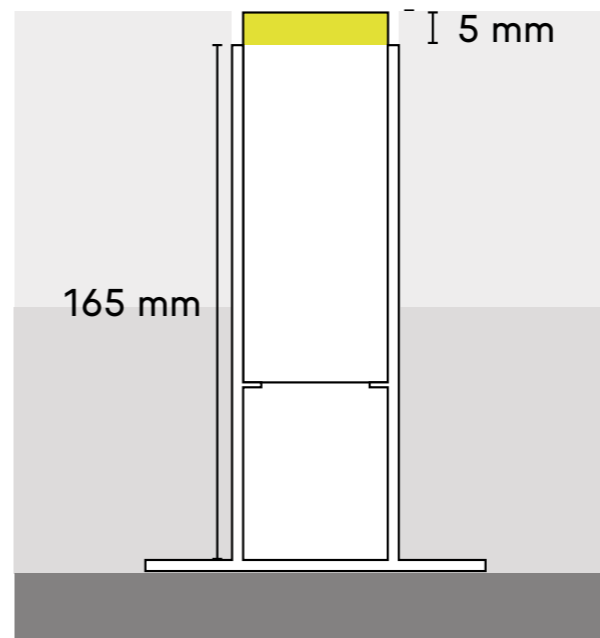
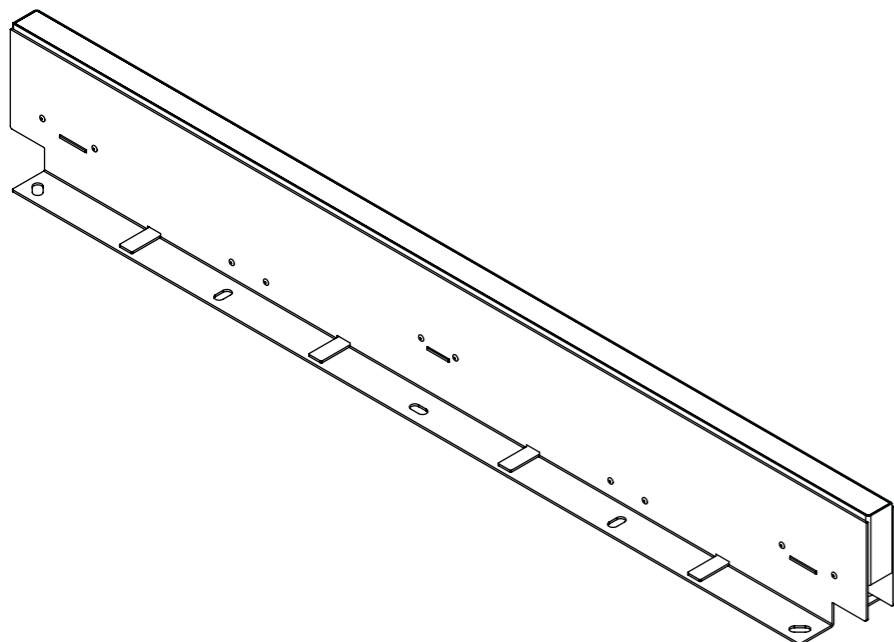
Can withstand loads and protects the frame from dirt during installation. This makes it easy to adjust the height of the paving to the top edge of the luminaire.



## 2 Installing the luminaire

After installation, the protective cover is removed and the light inserts can be snapped in without the need for tools. The luminaire fits flush with the surrounding paving.

## Varianten und Abmessungen (mm)

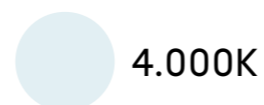
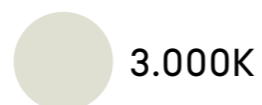
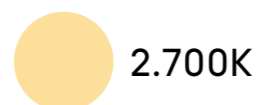


Variant	L (mm)	B (mm)	T (mm)
Ground Line OGL1 1060 350		29	65
Ground Line OGL1 1060 515		29	65
Ground Line OGL1 1060 1.000		29	65
Mounting frame	350/515/1.000	109	125
Mounting frame	350/515/1.000	109	165

Various mounting frames for different heights and applications (for example, height-adjustable, installation in concrete, single-flange) available on request.

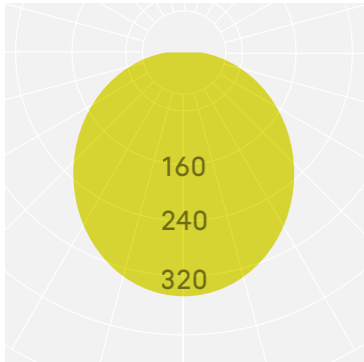
## Light colors

Several light colors can be combined in a single luminaire



## Optics and light distributions

Diffuse



## Maximum Wattage and Luminous flux (lm) for DC 48V und AC 230V

Power Class	Lumen/m						
	2.000K	2.700K	3.000K	4.000K	TW	RGB/3.000K	RGB/Boost Mode
<b>DC 48V</b>							
L1: 6W/m	270	430	350	490	490	38, 130, 19	64, 455, 42
L2: 17W/m	700	1.100	1.250	1.250	1.250	96, 331, 48	165, 1.162, 105
<b>AC230V</b>							
L1: 5W/m	150	180	190	200			
L2: 10W/m	410	450	460	480			

## Freely combinable lengths, optics and light colors

Each module of the OGL1 1060 can be individually controlled, allowing hundreds of conceivable light colors.



Different optics and light colors can be combined and individually controlled in a single luminaire.

Different lengths available on request in modular increments of approx. 8.1 cm



# Technical data

<b>Light distribution</b>	diffuse
<b>Rated voltage</b>	AC 230 V DC 48 V (for mains adapters see accessories)
<b>Protection luminaire</b>	IP68 (2m), IP69, IP69K
<b>Protection class</b>	II for AC 230 V III for DC 48 V
<b>Color rendering</b>	Ra 92
<b>Ambient temperature</b>	-20 ... +50 °C
<b>Storage/transport temperature</b>	-25 ... +70 °C

<b>Lifespan</b>	(L80/B10) (@ 25 °C) 60.000 h
<b>Dimmable/controllable</b>	yes
<b>Housing color</b>	stainless steel
<b>Housing material</b>	stainless steel (V4A)
<b>Sealing material</b>	plastic   diffuse
<b>Glow wire test</b>	650 °C
<b>Impact resistance</b>	IK10
<b>Druckbelastung</b>	3 metric tons
<b>Can be driven over</b>	ja, truck

IP68

IP69

IP69K

  
1-100

  
DMX

  
DALI

  
MONO

  
TW

  
RGB

  
LED

SDCM 3

  
IK 10

  
3t

  
Truck




# Additional lighting solutions from this product family

Powered by Elements

## Ground line OGL2 with directional lighting effect



### Ground line OGL2

is based on the same modular system and is therefore freely combinable with ground line OGL1 1060.



### Minimalist design – Maximum precision

The ground line OGL2 is a minimalist lighting solution for illuminating facades and architectural elements in outdoor spaces. Minimally visible housing parts make the luminaire inconspicuous in daylight.



**Download PDF OGL2**

➤ [www.instalighting.de](http://www.instalighting.de)



**Instalighting GmbH**  
Hohe Steinert 10  
58509 Lüdenscheid  
Germany

T + 49 2351 65619-0  
[info@instalighting.de](mailto:info@instalighting.de)