

Ground Line OGL2



powered by **Elements**





The ground line OGL2 is a minimalist lighting solution for illuminating facades and architectural elements in outdoor spaces.

Minimally visible housing parts make the luminaire inconspicuous in daylight. At night, the high-precision micro-reflectors from InstaLighting's Elements platform ensures perfect and uniform light distribution with optimum glare control.

Elements micro-reflectors

Maximum precision in minimum space



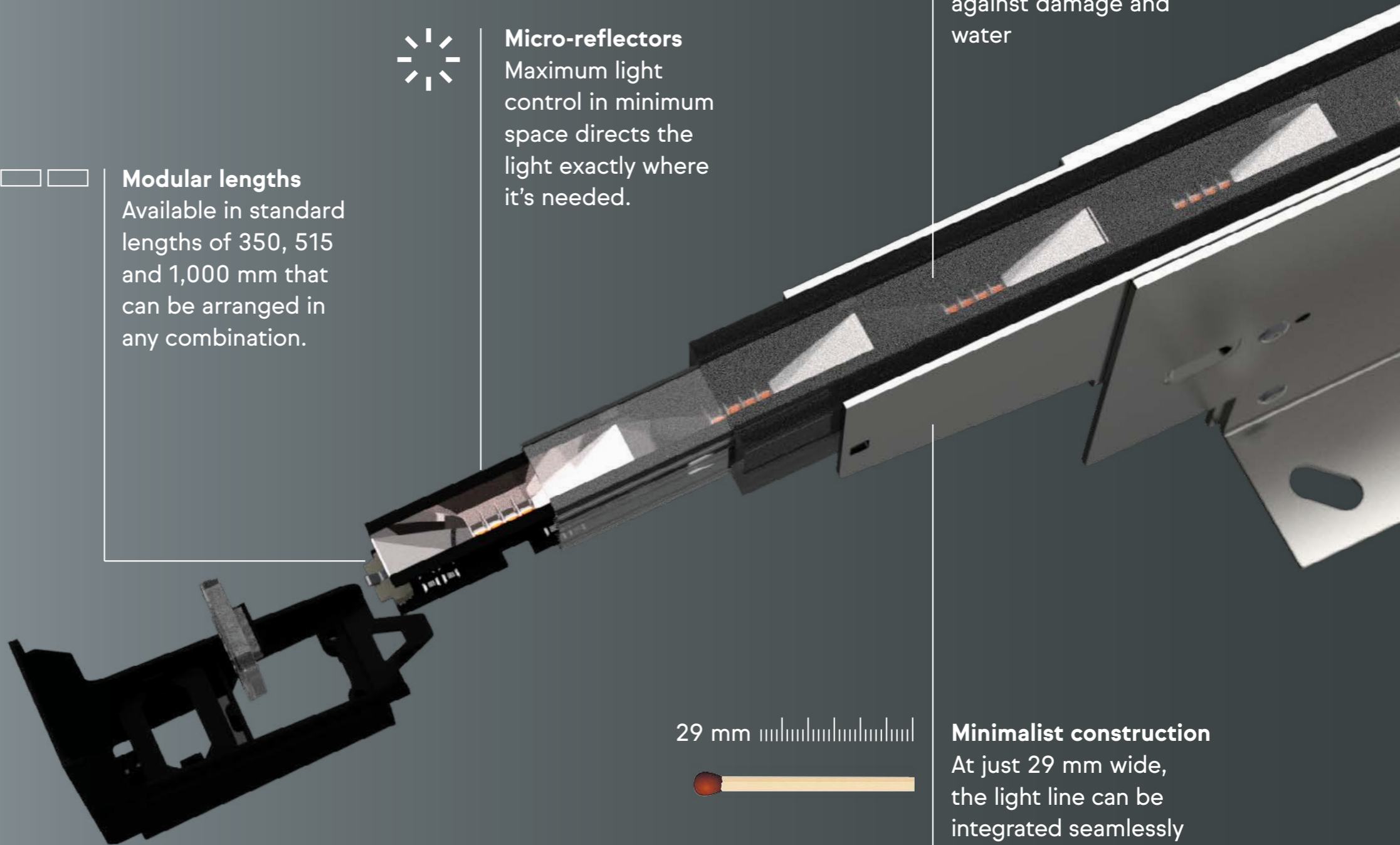
Modular lengths
Available in standard lengths of 350, 515 and 1,000 mm that can be arranged in any combination.



Micro-reflectors
Maximum light control in minimum space directs the light exactly where it's needed.



IP69K
Vandal-proof full sealing protects against damage and water

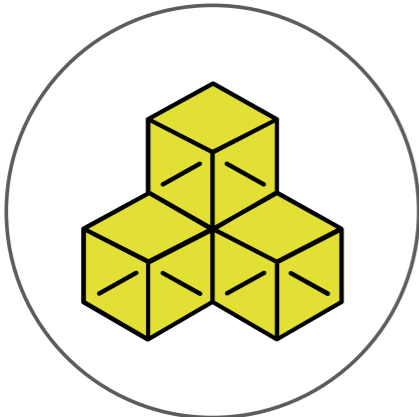


29 mm



Minimalist construction
At just 29 mm wide, the light line can be integrated seamlessly into any architectural concept.

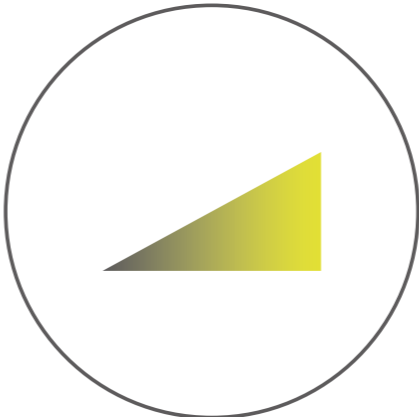
Elements is the modular technology platform from InstaLighting for maximum demands on lighting quality and flexible planning. A modular system of optics, lamps and control management solutions allows you to configure bespoke high-quality lighting scenarios for every conceivable application.



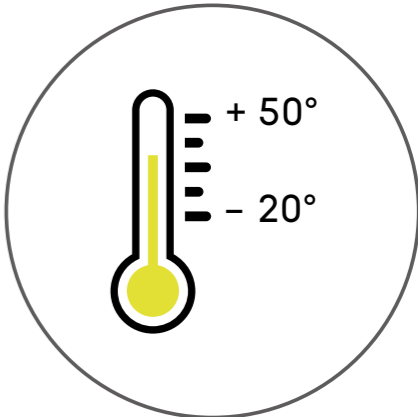
Modular building block system
Freely combinable system of light distributions, light colors and control management modules



Maximum and uniform light quality
Consistent light quality across the entire portfolio for all optics, power classes and light colors.



Flicker-free dimming
across the entire spectrum from 1 to 100%



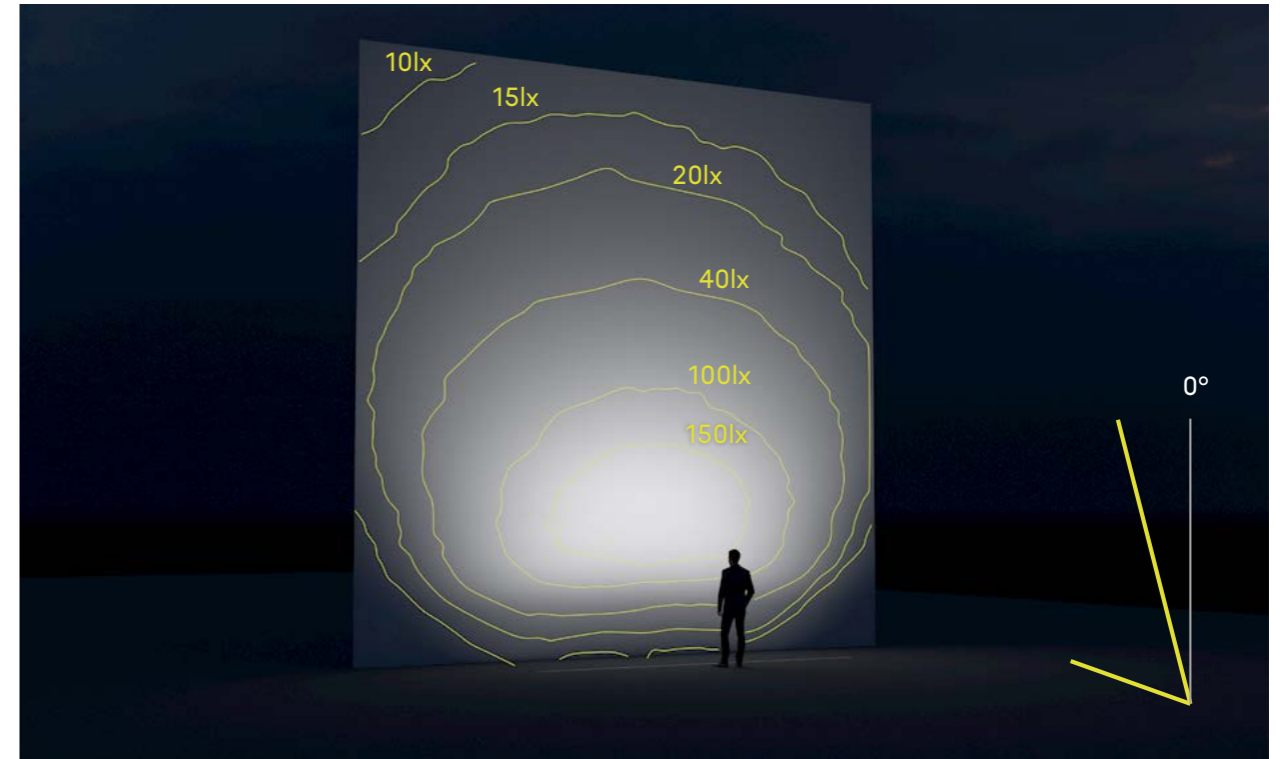
Stable temperature management
for ambient temperatures from -20° to +50°C

Elements optics for precise light distribution

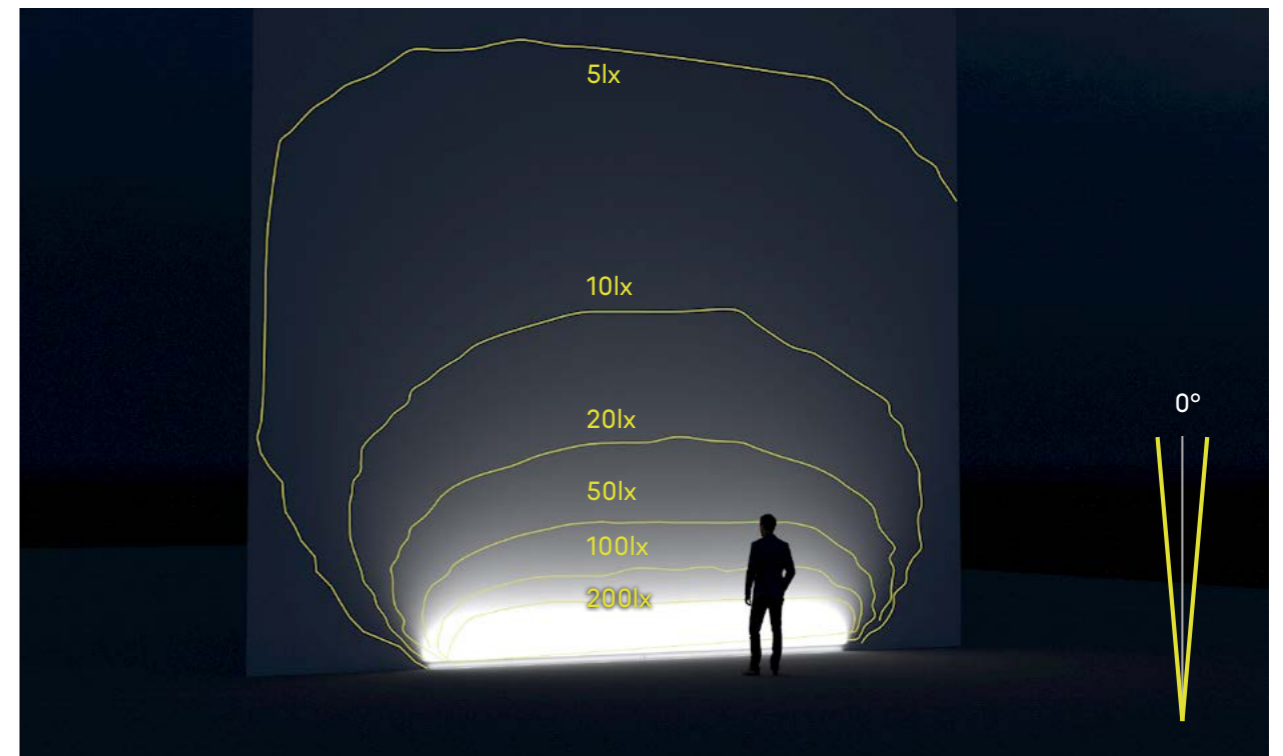
Powered by Elements



Beam angle Narrow 15°x65°
Wall surfaces invisibly illuminated from the floor

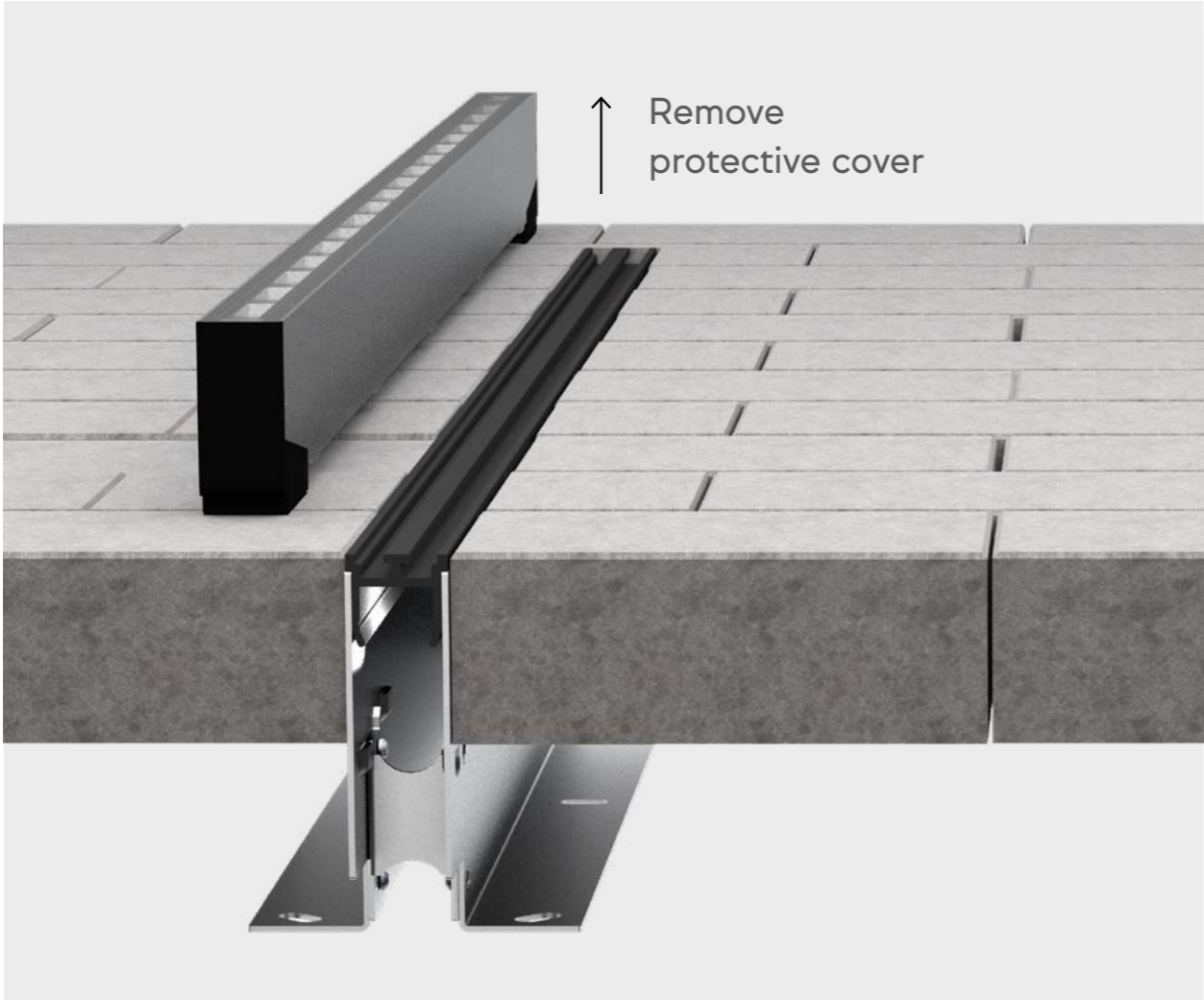


Asymmetric 1 – distance from wall 1m



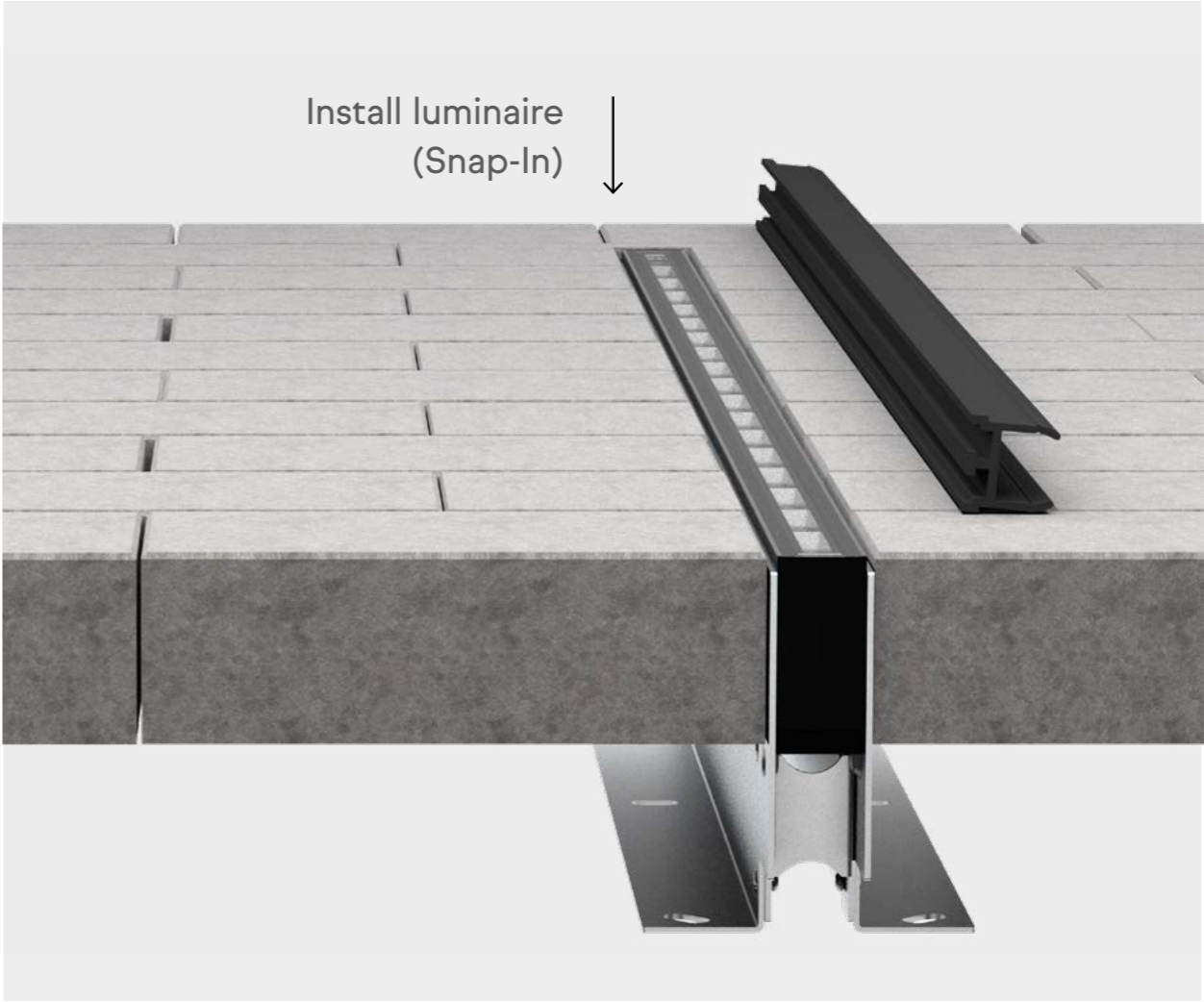
Narrow 15°x65° – Position directly at the wall

Easy-to-install modular system



1 Protective plastic cover for the installation phase

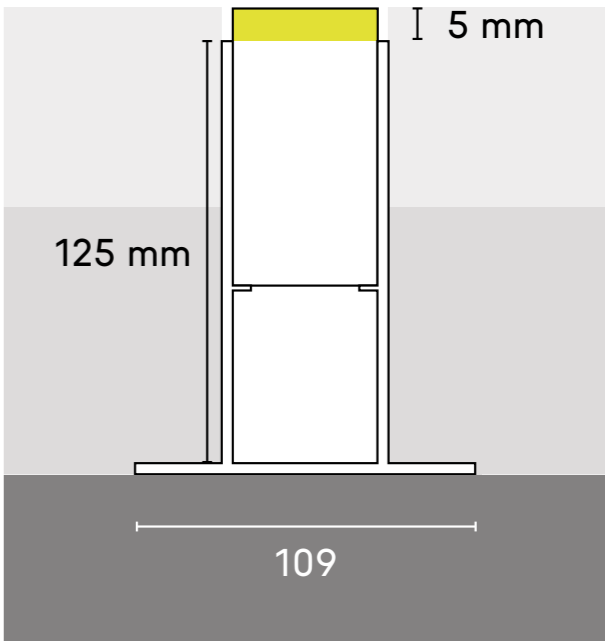
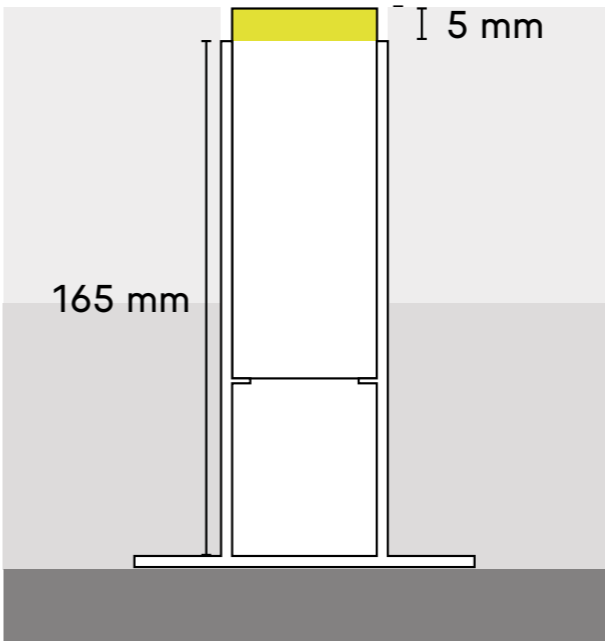
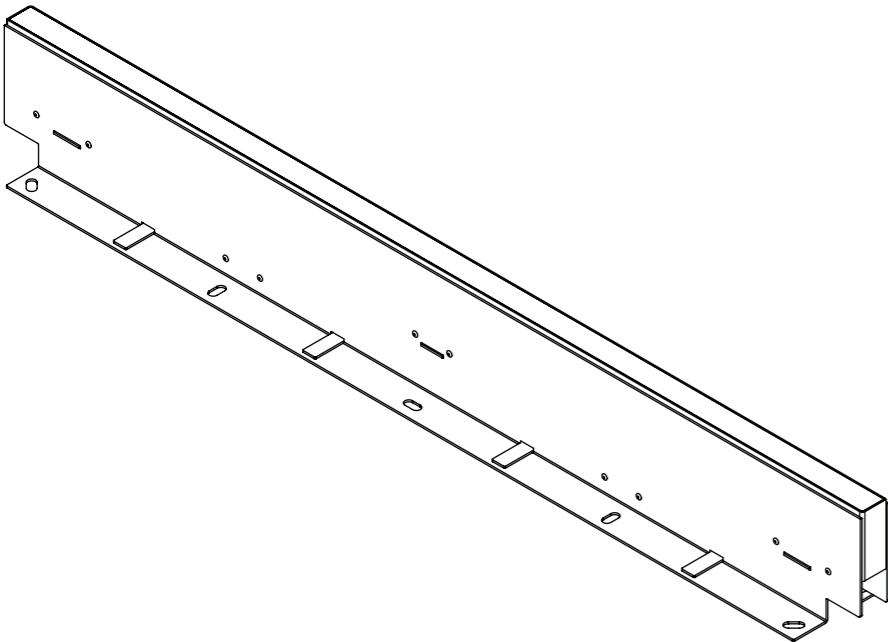
Can withstand loads and protects the frame from dirt during installation. This makes it easy to adjust the height of the paving to the top edge of the luminaire.



2 Installing the luminaire

After installation, the protective cover is removed and the light inserts can be snapped in without the need for tools. The luminaire fits flush with the surrounding paving.

Variants and dimensions (mm)

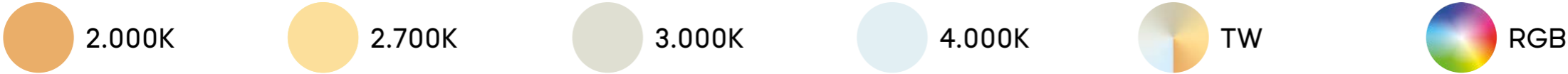


Variant	L (mm)	B (mm)	T (mm)
Ground line OGL2	350	29	65
Ground line OGL2	515	29	65
Ground line OGL2	1.000	29	65
Mounting frame	350/515/1.000	109	125
Mounting frame	350/515/1.000	109	165

Various mounting frames for different heights and applications (for example, height-adjustable, installation in concrete, single-flange) available on request

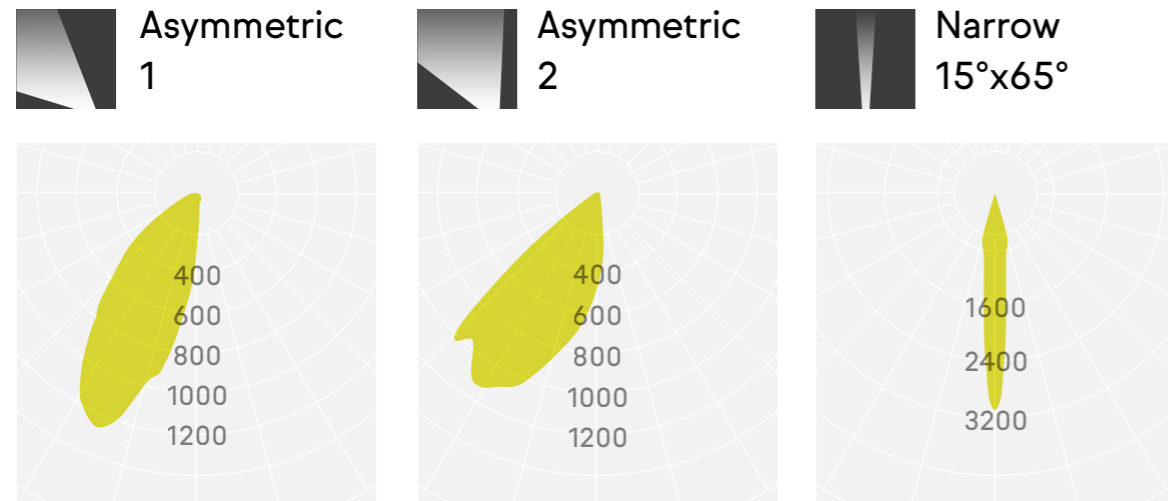
Light colors

Several light colors can be combined in a single luminaire



Optics and light distributions

Several light distribution curves can be combined in a single luminaire



Maximum Wattage and Luminous flux (lm)

Power Class	Luminous flux (lm)		Asymmetric 1	Asymmetric 2	Narrow 15°x65°
Power Class 1	8W/m	3.000K	410	500	410
		TW	450	550	450
		RGB@3.000K	34, 119, 17	41, 140, 20	34, 119, 17
		RGB@Boost-Mode	59, 419, 38	70, 495, 45	59, 419, 38
Power Class 2	20W/m	3.000K	1.050	1.300	1.050
		TW	1.130	1.350	1.130
		RGB@3.000K	86, 298, 43	102, 353, 51	86, 298, 43
		RGB@Boost-Mode	149, 1046, 95	176, 1.236, 112	149, 1.046, 95

Freely combinable lengths, optics and light colors

Each module of the OGL2 can be individually controlled, allowing hundreds of conceivable light colors.



Different optics and light colors can be combined and individually controlled in a single luminaire.



Different lengths available on request in modular increments of approx. 16.5 cm

Technical data

Light distribution	Narrow 15°x65° symmetric Asymmetric 1 Asymmetric 2
Rated voltage	DC 48 V (for mains adapters see accessories)
Protection luminaire	IP68 (2m), IP69, IP69K
Protection class	III
Color rendering	Ra 92
Ambient temperature	-20 ... +50 °C
Storage/transport temperature	-25 ... +70 °C

Lifespan	(L80/B10) (@ 25 °C) 60.000 h
Dimmable/controllable	yes
Housing color	stainless steel
Housing material	stainless steel (V4A)
Sealing material	plastic clear
Glow wire test	650 °C
Impact resistance	IK10
Stat. pressure load	0.5 metric tons
Can be driven over	yes, car



Additional lighting solutions from this product family

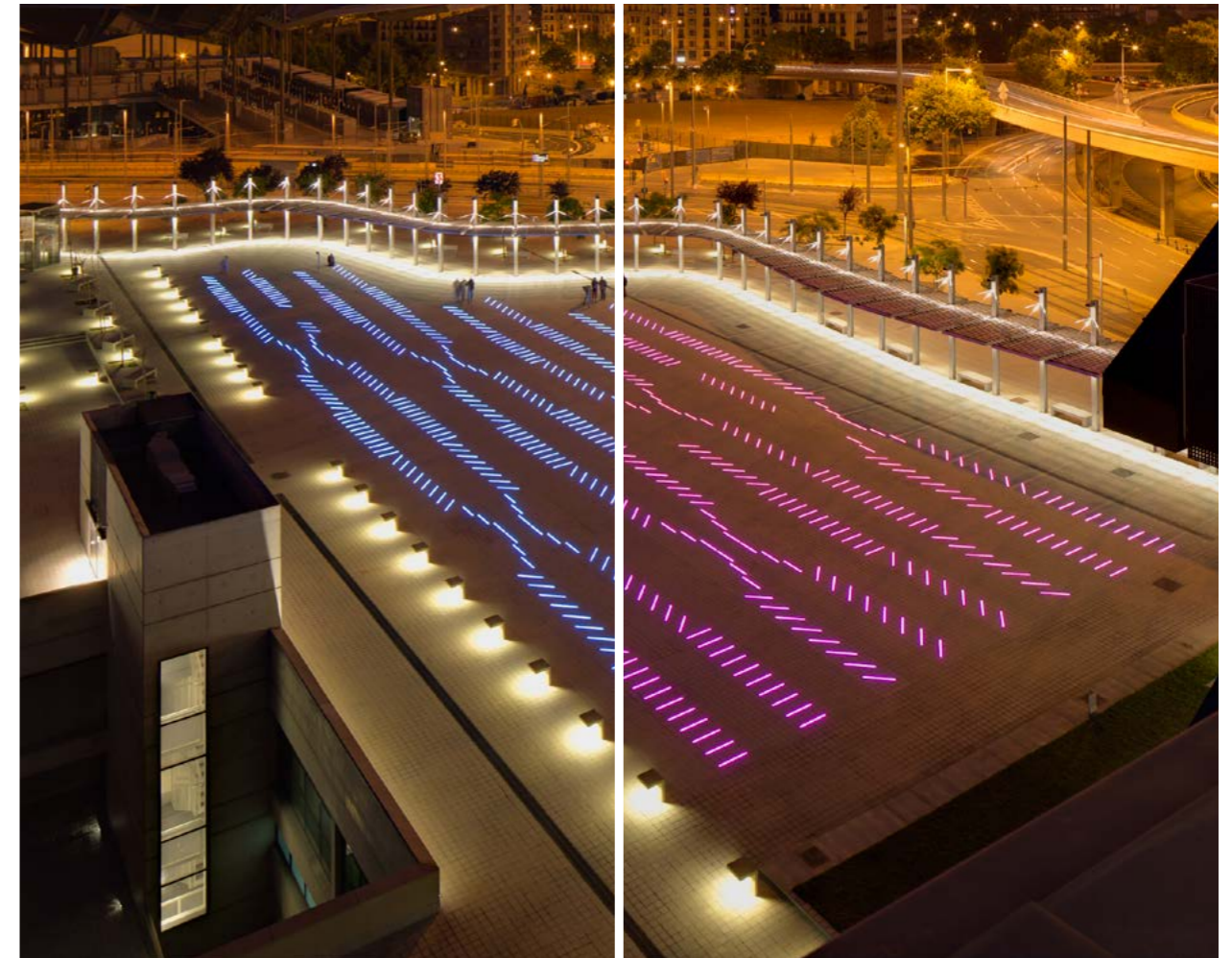
Powered by Elements

Ground line OGL1 1060 with diffuse lighting effect



Ground line OGL1 1060

is based on the same modular system and is therefore freely combinable with ground line OGL2.



Placa Disseny in Barcelona

The dynamic structuring of the square with light lines sets strong accents in a public space.



Download PDF OGL1 1060

➤ www.instalighting.de



Instalighting GmbH
Hohe Steinert 10
58509 Lüdenscheid
Germany

T + 49 2351 65619-0
info@instalighting.de